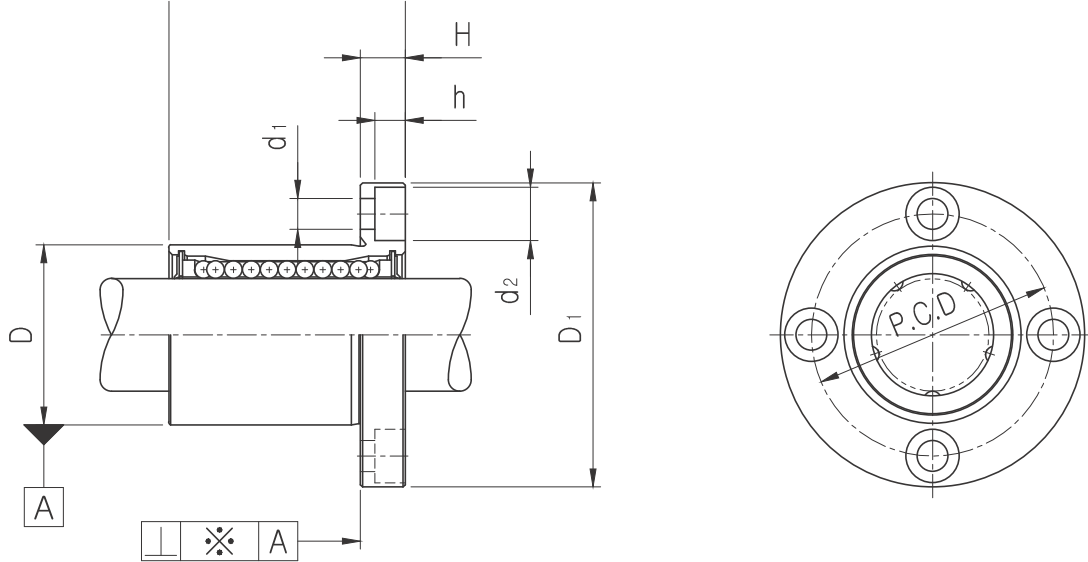


## LMF FLANGED LINEAR BUSHING

### ● Drawing



### ● Part Number Notation

**LMF 20 UU - A N S**



- SAMICK Circular Flanged Linear Bushing
- Nominal Shaft Diameter
- Seal

Blank	No Seal
UU	Both Side Seal
U	One Side Seal

- Retainer (material)

Blank	Resin Retainer(Standard)
A	Steel Retainer(High temperature)*1

- Outer-sleeves (by corrosion resistance)

Blank	Standard(SUJ2)
N	Electroless nickel plating
R	Raydent treatment

- Ball type (material)

Blank	High carbon bearing steel ball(Standard)
S	Stainless steel ball

★1 Steel retainer applicable from LMF6 to LMF25 only  
(LMF8S applicable with resin retainer only)



## LMF FLANGED LINEAR BUSHING

PART NUMBER		WORKING BORE DIAMETER		D		L		D <sub>1</sub>		H	PCD	d <sub>1</sub>	d <sub>2</sub>	h	SQUAR ENESS ※(μm) <sup>*</sup>	BASIC LOAD RATING(N)		NO. OF BALL ROW	WEIGHT (gf) <sup>*2</sup>
Resin	Steel	dr. (mm)	CLEAR NCE (mm)	mm	CLEAR NCE (mm)	mm	CLEAR NCE (mm)	mm	CLEAR NCE (mm)						DYNAMIC (C) <sup>*1</sup>	STATIC (Co)			
LMF6UU	LMF6-A	6		12		19		28		5	20	3.4	6.5	3.3	12	220	260	4	26.5
LMF8SUU		8		15	0 -0.011	17		32		5	24	3.4	6.5	3.3	12	170	220	4	34
LMF8UU	LMF8-A	8		15		24		32		5	24	3.4	6.5	3.3	12	260	400	4	40
LMF10UU	LMF10-A	10	0 -0.009	19		29	0 -0.2	40		6	29	4.5	8.0	4.4	12	370	540	4	78
LMF12UU	LMF12-A	12		21	0 -0.013	30		42		6	32	4.5	8.0	4.4	12	410	590	4	76
LMF13UU	LMF13-A	13		23		32		43	0 -0.2	6	33	4.5	8.0	4.4	12	500	770	4	94
LMF16UU	LMF16-A	16		28		37		48		6	38	4.5	8.0	4.4	12	770	1170	5	134
LMF20UU	LMF20-A	20		32		42		54		8	43	5.5	9.5	5.4	15	860	1370	5	180
LMF25UU	LMF25-A	25	0 -0.010	40	0 -0.016	59		62		8	51	5.5	9.5	5.4	15	980	1560	6	340
LMF30UU		30		45		64		74		10	60	6.6	11.0	6.5	15	1560	2740	6	460
LMF35UU		35		52		70		82		10	67	6.6	11.0	6.5	20	1660	3130	6	795
LMF40UU		40	0 -0.012	60	0 -0.019	80	0 -0.3	96		13	78	9.0	14.0	8.6	20	2150	4010	6	1054
LMF50UU		50		80		100		116	0 -0.3	13	98	9.0	14.0	8.6	20	3820	7930	6	2200
LMF60UU		60		90	0 -0.022	110		134		18	112	11.0	17.5	10.8	25	4700	9990	6	2960
LMF80UU		80	0 -0.015	120		140		164		18	142	11.0	17.5	11.1	25	10130	12000	6	5400

- ★1 Dynamic load rating is based on the nominal life of 50km  
In case of 100km, C on the table need to be divided by 1.26  
Ex) 50km basic dynamic load rating(C) of LMF12 = 410N  
100km basic dynamic load rating(C<sub>100</sub>) of LMF12 = 410/1.26 = 325.40N
- ★2 Based on the weight of resin retainer
- ★3 Main unit : mm
- ★4 1N ≒ 0.102kgf

